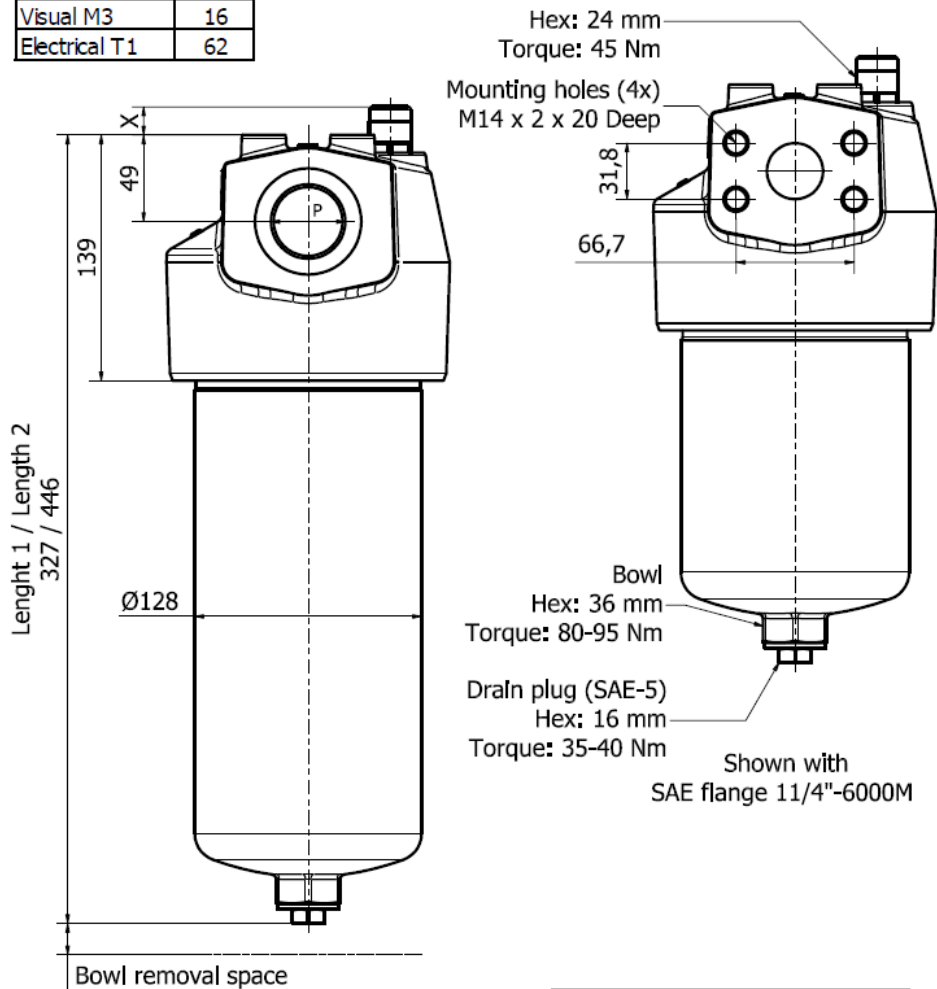


Mounting holes (4x)
M10 x 1.5 x 12 deep

Indicator (shown is visual M3)

Indicator	X
Plugged	0
Visual M3	16
Electrical T1	62



Length 1 / Length 2
327 / 446

Bowl removal space

Shown with threaded port

Bowl removal space	
Element	Value
Standard / High Strength	75
Reverse Flow	100

Dimensions in mm

EPF4 Inline
Dimensional drawing

